

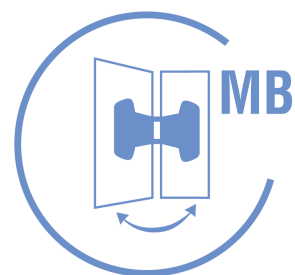


Furniture hinge MB-20

8 mm joint

Low-profile design

Outstanding stability



Simple, good, all-metal

The MB is the ultimate all-purpose hinge. Tried and tested quality and a low-profile design for visible mounting.



YOUR PRODUCT BENEFITS AT A GLANCE:

- **Elegant design**
- **All-metal furniture hinges** for visible mounting
- **Integrated self-closing action**
- **Bowls, hinge arms and links made of die-cast zinc**
- **Surface in gloss nickel-plated finish**
- **For almost all types of hinge mounting** (corner, centre wall, glass door mounting)
- **Suitable for case-type and continuous mounting**
- **Low-profile hinge arm** maximizes access to the cabinet interior
- **Bowl edge cover** neatly hides the drill hole edges and fits the bowl exactly
- **Optimum stability**
- **Opening angle 180°/230°**
- **Height adjustment ± 2 mm**
- **Side adjustment - 2 mm**

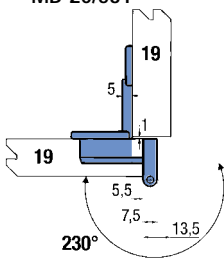
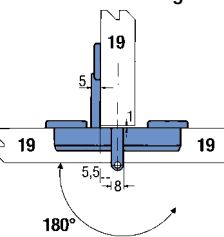
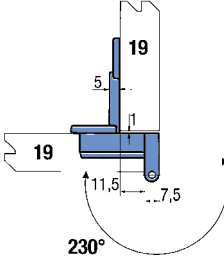
ARE BIG BICEPS ESSENTIAL FOR A STRONG ARM? THE MB-20 DEMONSTRATES HOW EFFECTIVE THE LOW-PROFILE APPROACH CAN BE – AND OPENS UP CONVENIENT ACCESS TO THE CABINET INTERIOR.

The high-grade all-metal design of the MB-20 and its axle mounted in dual polyamide bearings guarantee exemplary stability and durability despite the lightweight appearance of the

hinge arm. The MB-20 is child's play to mount: By simply pushing the hinge arm into the bowl and screwing into position, the MB-20 is ready to open doors up to an angle of 230°.

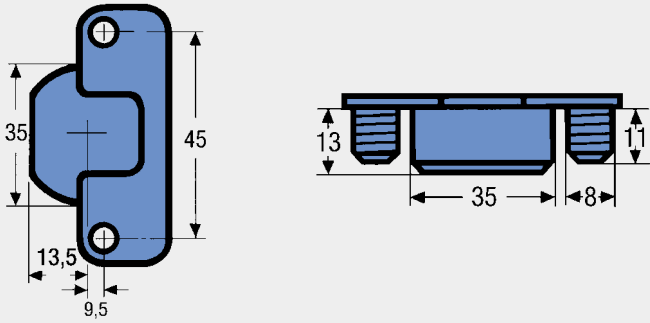
HETAL will also develop an exclusive custom-designed furniture hinge to address your special requirements or comply with your own specification. Simply give us a call.

Specifications MB-20

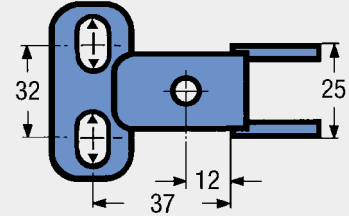
Type	Application	Joint	Opening angle	Overlay	Door thickness	Negative moment	Drilling depth
MB-20/531 	Case-type and endless construction	13,5 mm	230°	5,5 mm overlaid	16-20 mm	overlaid 0 mm with 180° opening angle	13 mm
MB-20/532 Centre wall hinge 	Endless construction	8 mm	over 180°	5,5 mm overlaid	16-20 mm	0 mm with 180° opening angle	13 mm
MB-20/581 	Case-type and endless construction	7,5 mm	230°	11,5 mm overlaid	16-20 mm	0 mm with 180° opening angle	13 mm

Mounting and installation instructions

BOWLS – MB-20 SERIES DRILLING DIMENSIONS



HINGE ARMS – MB-20 SERIES DRILLING DIMENSIONS



Order information

Hinge arms	Order no.
MB-20/531	B351.182.02.25
MB-20/532	B351.282.02.25
MB-20/581	B353.182.02.25
Bowl 45 mm hole spacing with two screw holes	B301.090.22.25
Bowl 45 mm hole spacing with 2 dowels	B301.090.20.25

Packaging unit:

- > Hinge arms in box containing 100 pcs.
- > Bowls in box containing 200 pcs.

Accessories for the MB-20 series



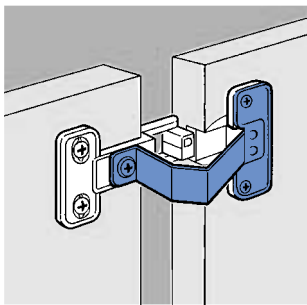
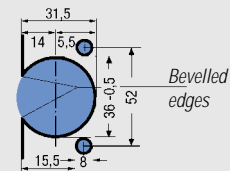
GLASS DOOR HINGE

Décor cover to fit all MB-20 furniture hinges featuring bowls with a hole spacing of 52 mm.

Design:

Front panel in die-cast zinc, with a gloss nickel plated finish, complete with 2 plastic washers, 2 plastic sleeves, 2 M5 screws for glass thickness 5 – 6 mm.

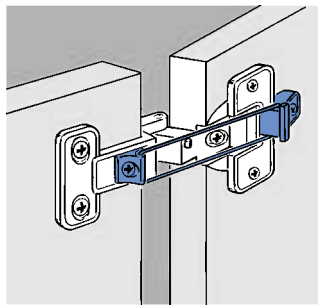
Drilling pattern
Glass doors



CLOTHES GUARD

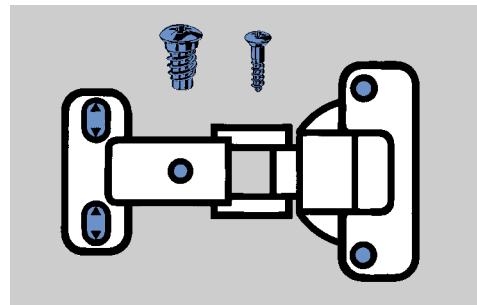
Design:

Made of plastic for MB-20



STOPPING DEVICE

appr. 120°



SCREWS FOR HINGE ARM FIXING

2 Euro screws (6.3 mm x 10.5 mm or 6.3 mm x 13.5 mm) and 1 chipboard screw (3.5 x 13 mm), Pozidrive size 2

Order information

Article	Order no.
Bowl 52 mm hole spacing for glass doors	B301.090.01.25
Décor cover for glass doors	B301.910.10.25
Clothes guard	B399.024.09.01
Stopping device appr. 120°	M399.001.00.25
Euro screw 6.3 x 10.5 mm	B507.005.41.25
Euro screw 6,3 x 13,5 mm	B405.000.51.25