

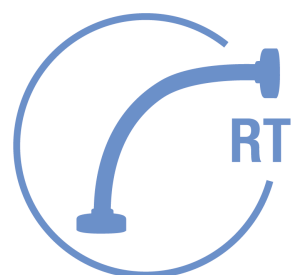


Shelf bracket RT-150

Appealing design

High load capacity

Wide application range



Bracket or bookend – with instant appeal

A universal support for kitchen, bathroom or office. The RT-150 also takes the strain.



THE COOL SOPHISTICATION OF THE MATT CHROME-PLATED RT-150 MAKES A SHINING IMPRESSION WHEREVER IT GOES – IN THE KITCHEN, LIVING AREA OR OFFICE.

But what makes the RT-150 such a universal product is not just its ability to blend in anywhere – it also offers a range of different functions: Used as a shelf bracket, for instance, it serves at the same time as a bookend.

And the RT-150 gains its outstanding inner strength from an all-metal construction: All supporting elements are made of steel, and so capable of withstanding extreme loads.

A great outlook for installation too: Minor inaccuracies can be quickly and effortlessly compensated. The mounts, fixing bracket and mounting screws on the shelf are all elegantly concealed by matt chrome-plated plastic caps.

YOUR PRODUCT BENEFITS AT A GLANCE:

- **Universal bracket** for the kitchen, living area or office
- **Sophisticated matt chrome-plated design** with chrome-plated plastic caps
- Can be used as a **shelf bracket and bookend**
- **Simple to mount**
- **All-metal construction with high loading capacity** with bearing parts in steel
- **Adjustable fitting**

Mounting and installation information

RT-150 APPLICATION RANGE

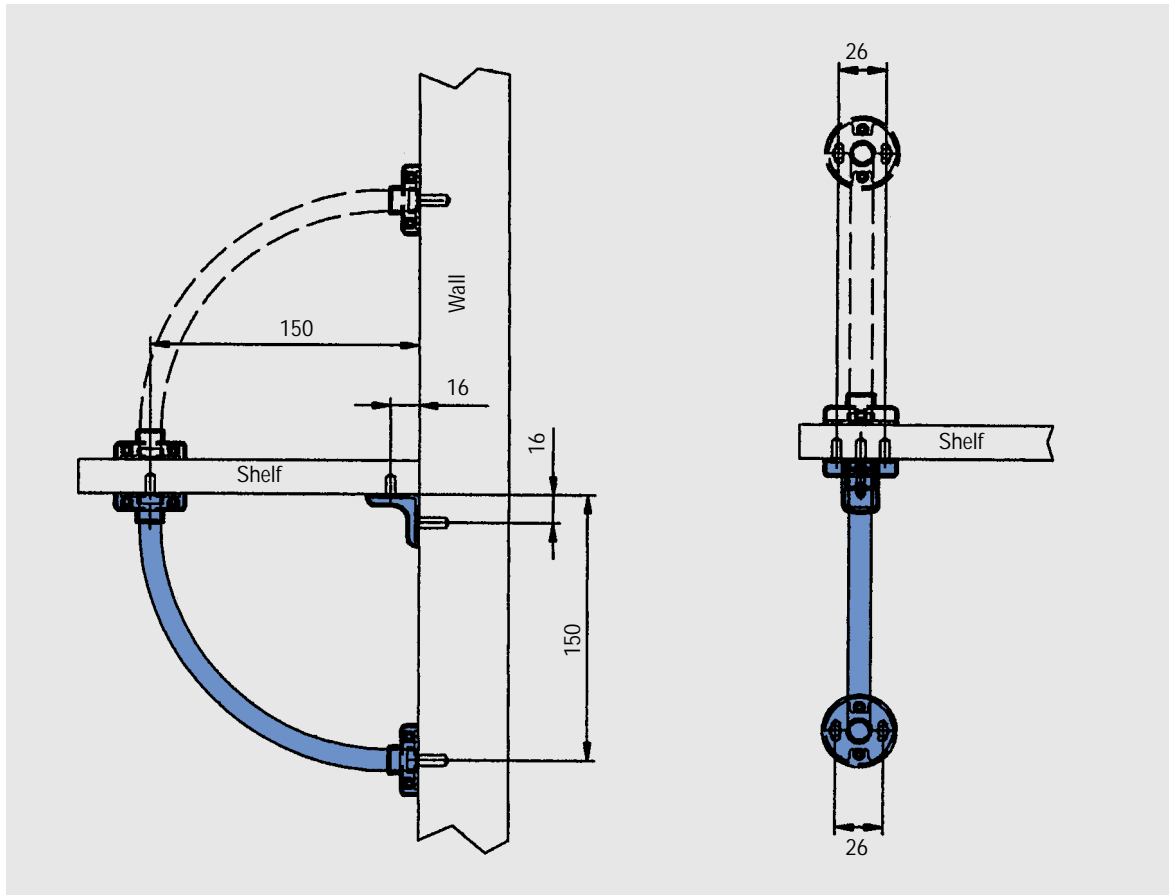
Shelf width	Shelf depth	No. of RT-150s
up to 1.000 mm	up to 350 mm	2
up to 1.500 mm	up to 350 mm	3
up to 2.000 mm	up to 350 mm	4
up to 2.500 mm	up to 350 mm	5

Loading capacity

DIN 68874 / 4.2

Stress group L 75

(75 kg per m²)



Order information

Individual packaging

1 galvanized steel fixing bracket

3 6 mm dowels (for fixing on the wall)

Order no.:

D401.100.21.35

One set in a box

(21 x 14 x 4.5) contains:

1 matt chrome plated plastic cover for fixing bracket

1 set of mounting instructions

Packaging unit:

Box containing 1 set

1 matt chrome-plated steel bow

3 4 x 16 chipboard screws with half-rounded head,

Pozi size 2 (for fixing on the shelf)

3 4.5 x 40 chipboard screws with half-rounded head, Pozi size 2 (for fixing on the wall)

Pack size:

21 x 14 x 4,5 cm

2 galvanized steel mounts with thread

2 matt chrome plated plastic covers for mounts